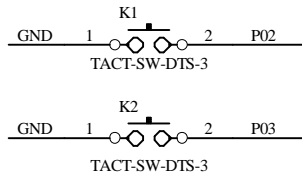
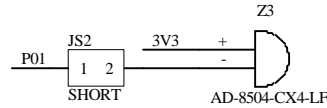


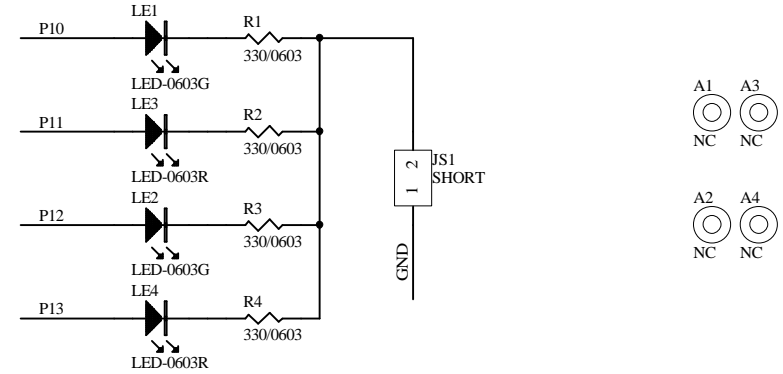
BUTTON (P02 / P03)



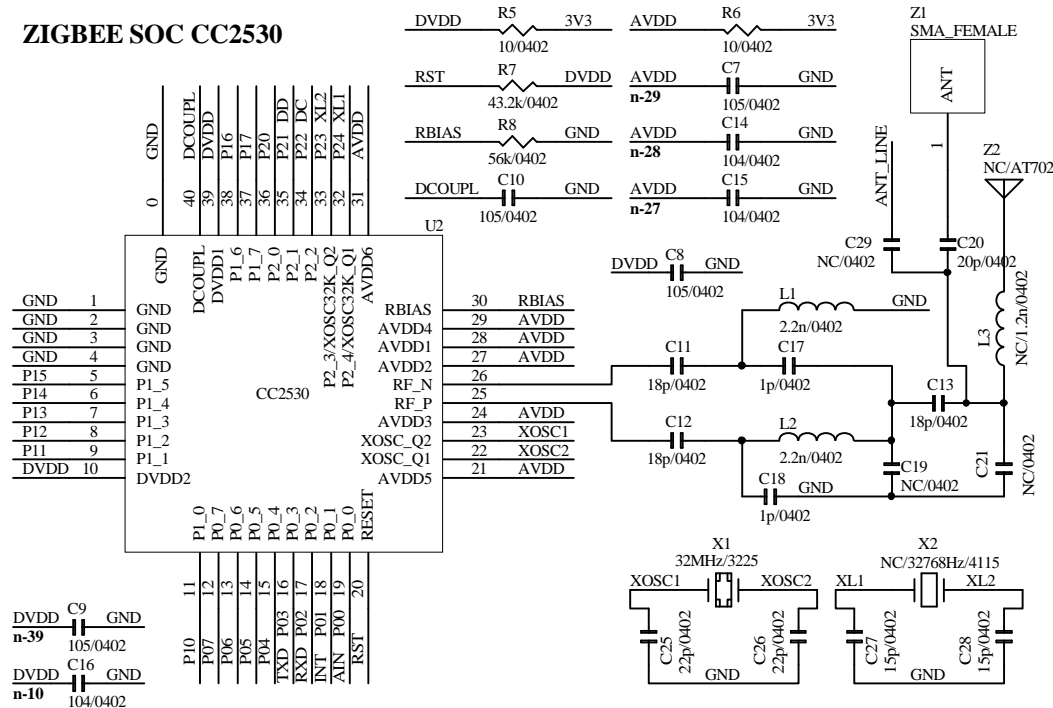
BUZZER (P01)



LED (P10 ~ P13)



ZIGBEE SOC CC2530



SOC DEBUG 線路

